



Lever Handles Technical Help Sheet

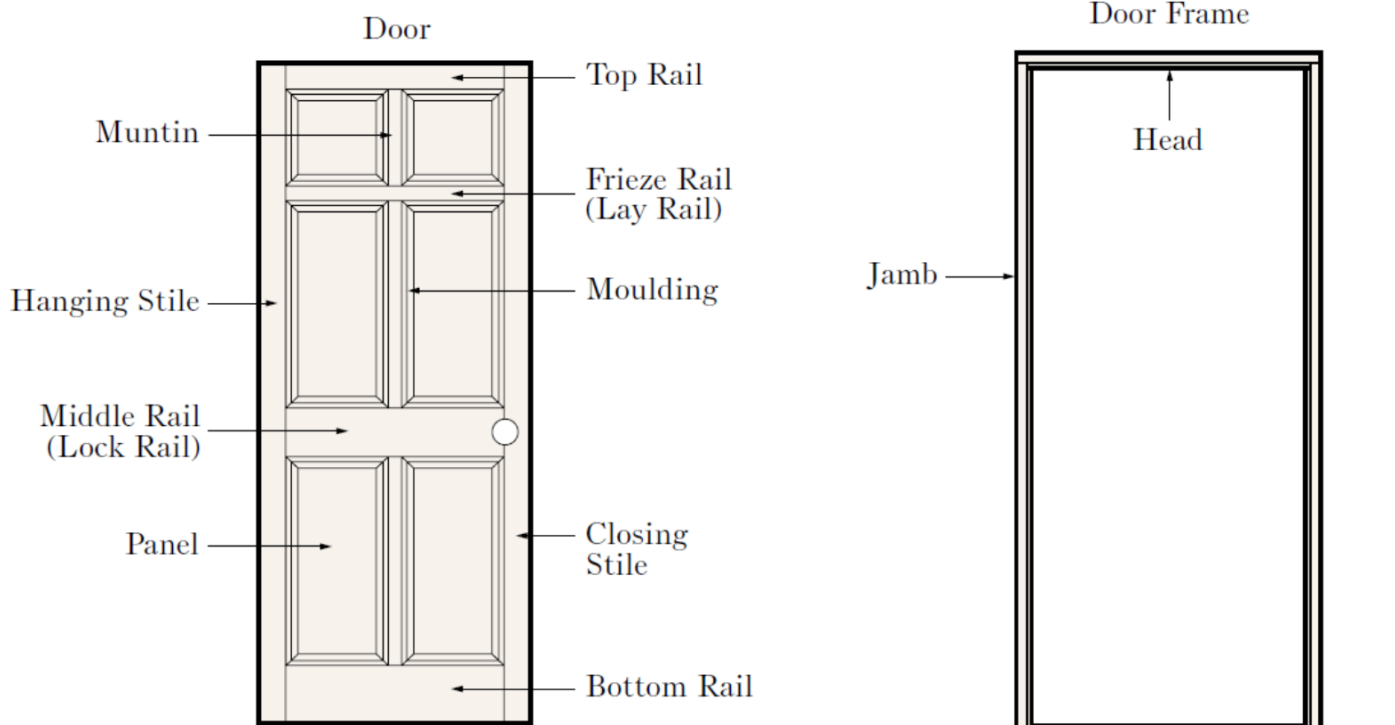
JOSEPH GILES

7 Imperial Way, Croydon, Surrey CR0 4RR
+44 (0) 20 8680 2602 | info@josephgiles.com | josephgiles.com

Lever Handles Technical Help Sheet

Typical door construction

It is important to understand the basics of door construction, especially when selecting architectural hardware. Below is an image outlining the key areas on a door which will assist you in this document.



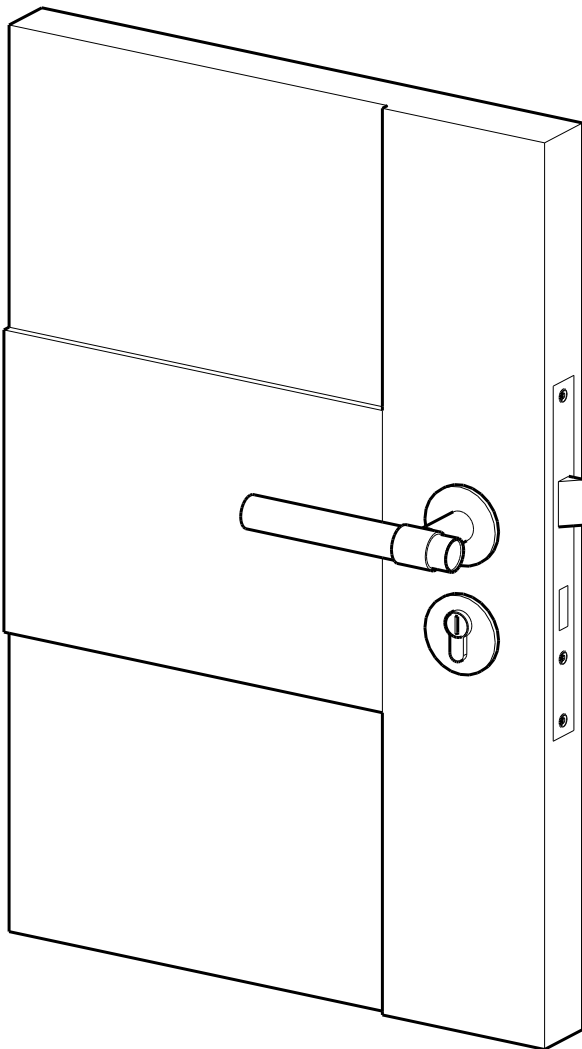
Lever Handles Technical Help Sheet

Lever handles are the most popular choice for door furniture. There are a variety of design options and with that comes points for consideration when selecting your handles. This document is designed to highlight potential issues and assist you with your specification.

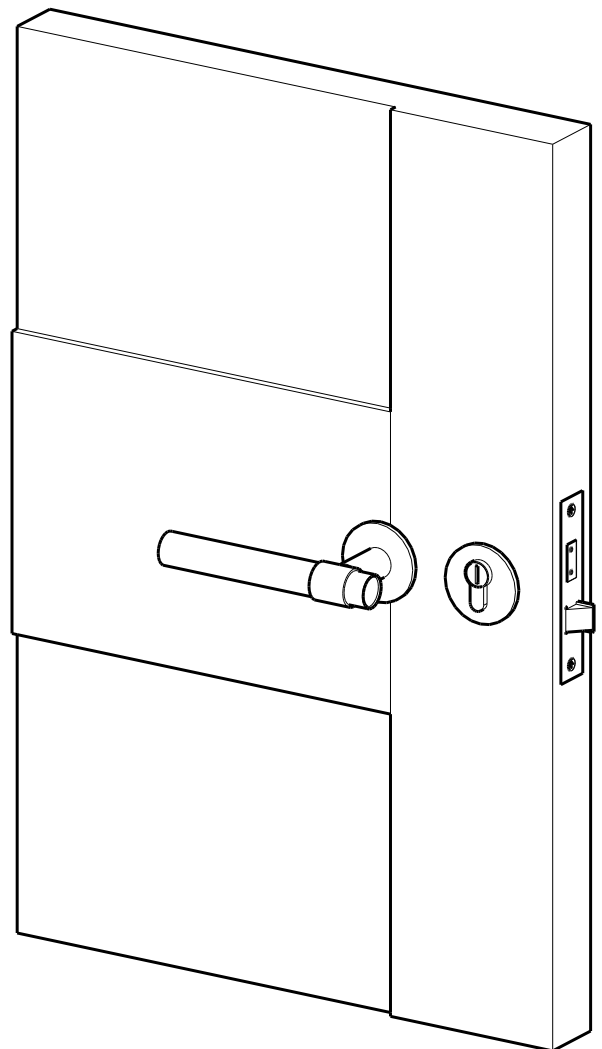
Lock & Latch Configurations

Lever handles work best on vertical locks, and as such we do not recommend the use of horizontal locks. This is for two reasons, firstly the springing of the latch follower is only designed for knob furniture, and secondly, aesthetically it doesn't look correct.

Vertical lock - recommended



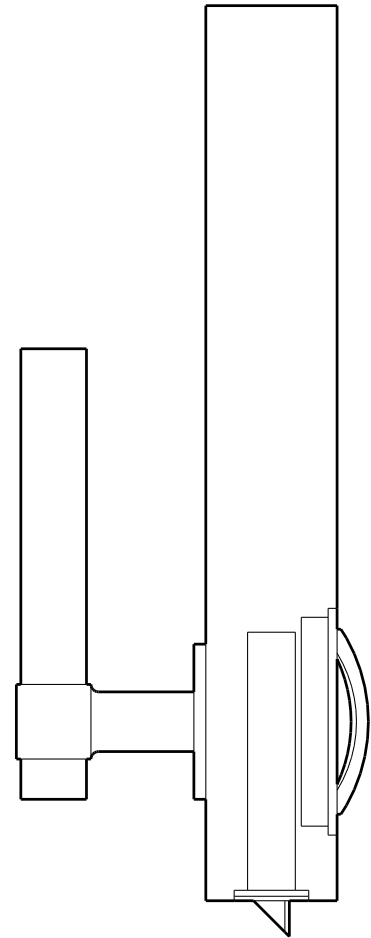
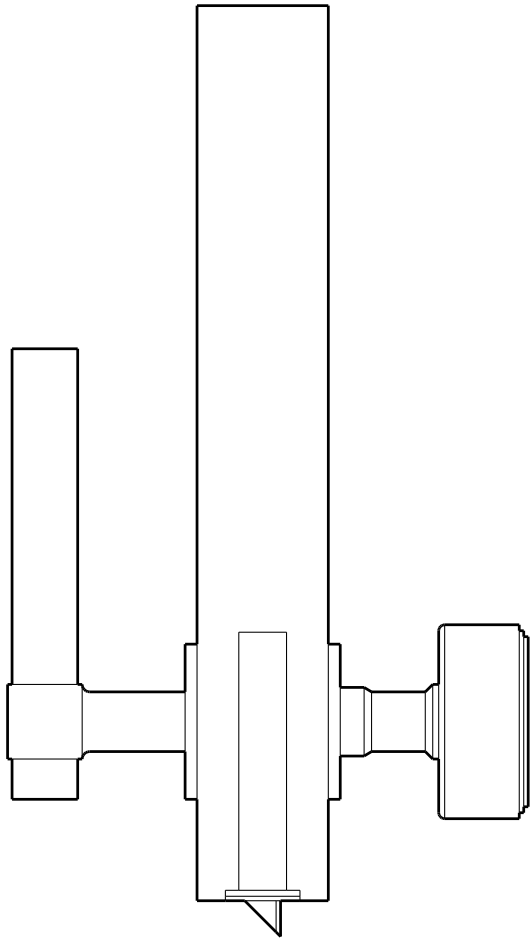
Horizontal lock - not recommended



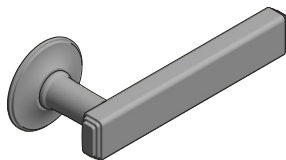
Lever Handles Technical Help Sheet

Combinations

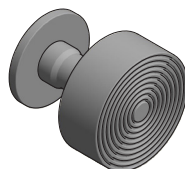
We supply lever handles in pairs, as they are designed to function perfectly in this set up. We are sometimes asked for combinations of a lever on one side and a door knob on the other. This is not recommended, as a lever handle requires a level of latch springing that is too strong for door knobs and flush rings, which makes them very difficult to operate.



Lever handle



Door knob



Flush ring



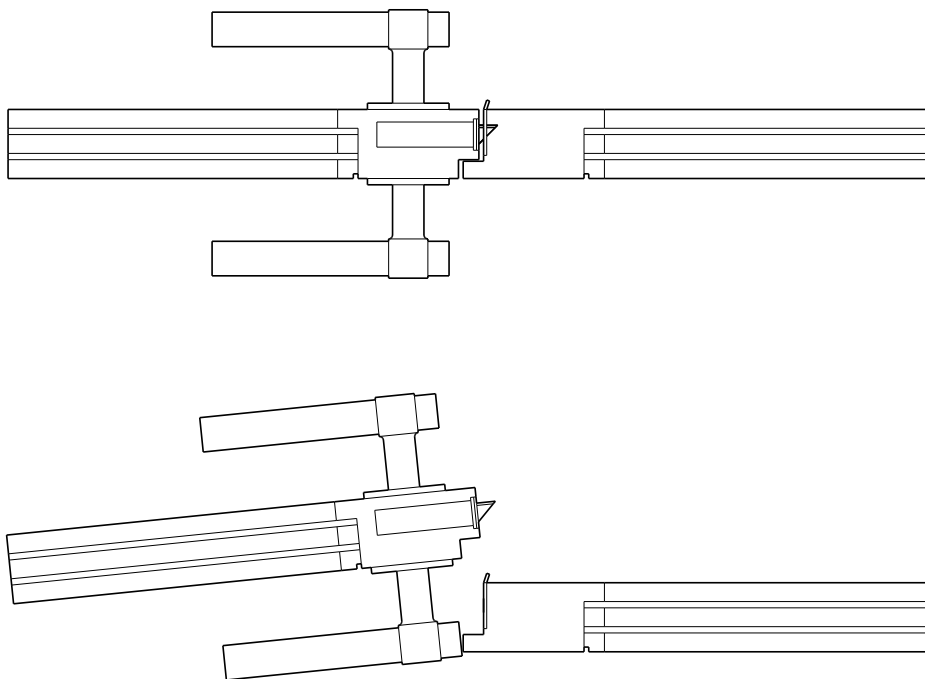
Lever Handles Technical Help Sheet

Door stile widths

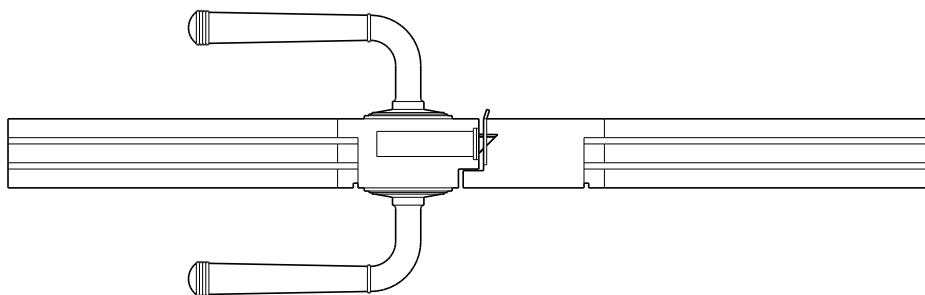
Our lever handles are suitable for most door types, however doors with narrow stiles can be challenging for certain designs. For example, external french doors often have narrow stiles to maximise the view outside and keep timber work to a minimum, as a result the locks must be narrow. The following detail shows certain lever styles which will not work in this situation.

Lever handles with an oversail

The top detail appears fine in the closed position, however as the door is opened you will notice the oversail of the lever handle collides with the rebate on the secondary leaf.



The detail below shows a lever handle which is compatible in this scenario.

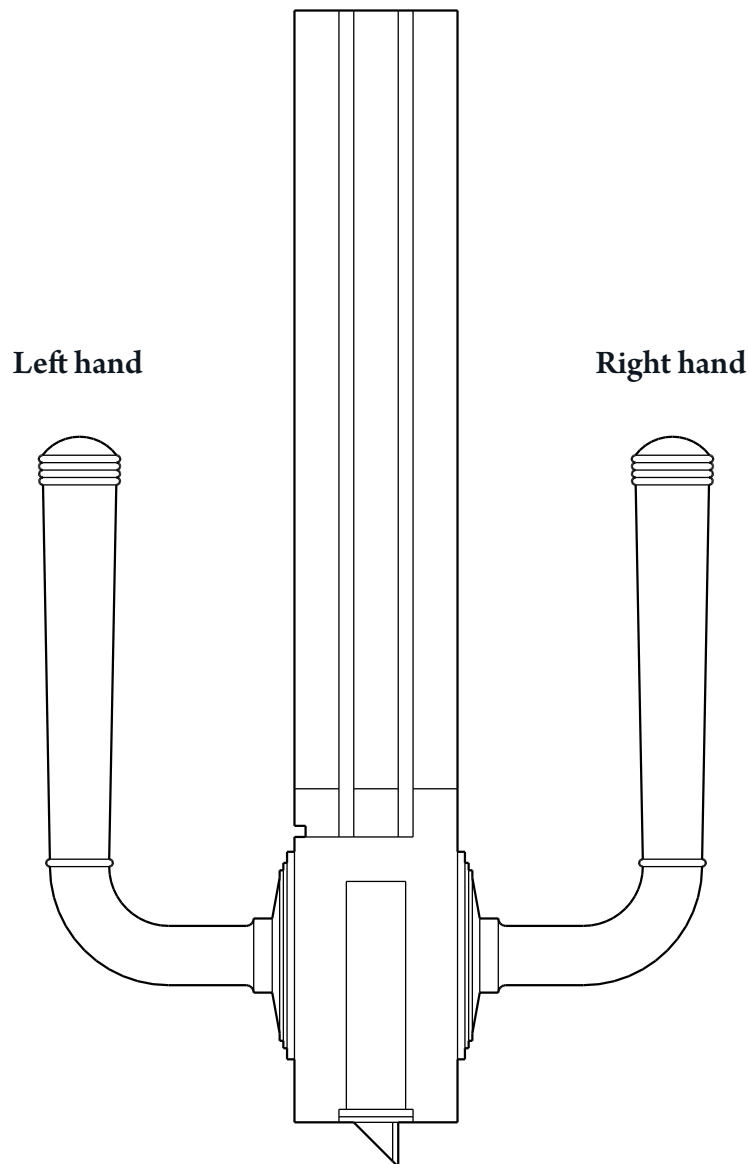


Lever Handles Technical Help Sheet

Handing of lever handles

Almost all of our lever handles are handed, meaning they are made for specific sides of the door. This ensures that the grub screw is concealed from view. It is therefore important to know which hand you need if you require a lever handle on one side, e.g. a storage cupboard.

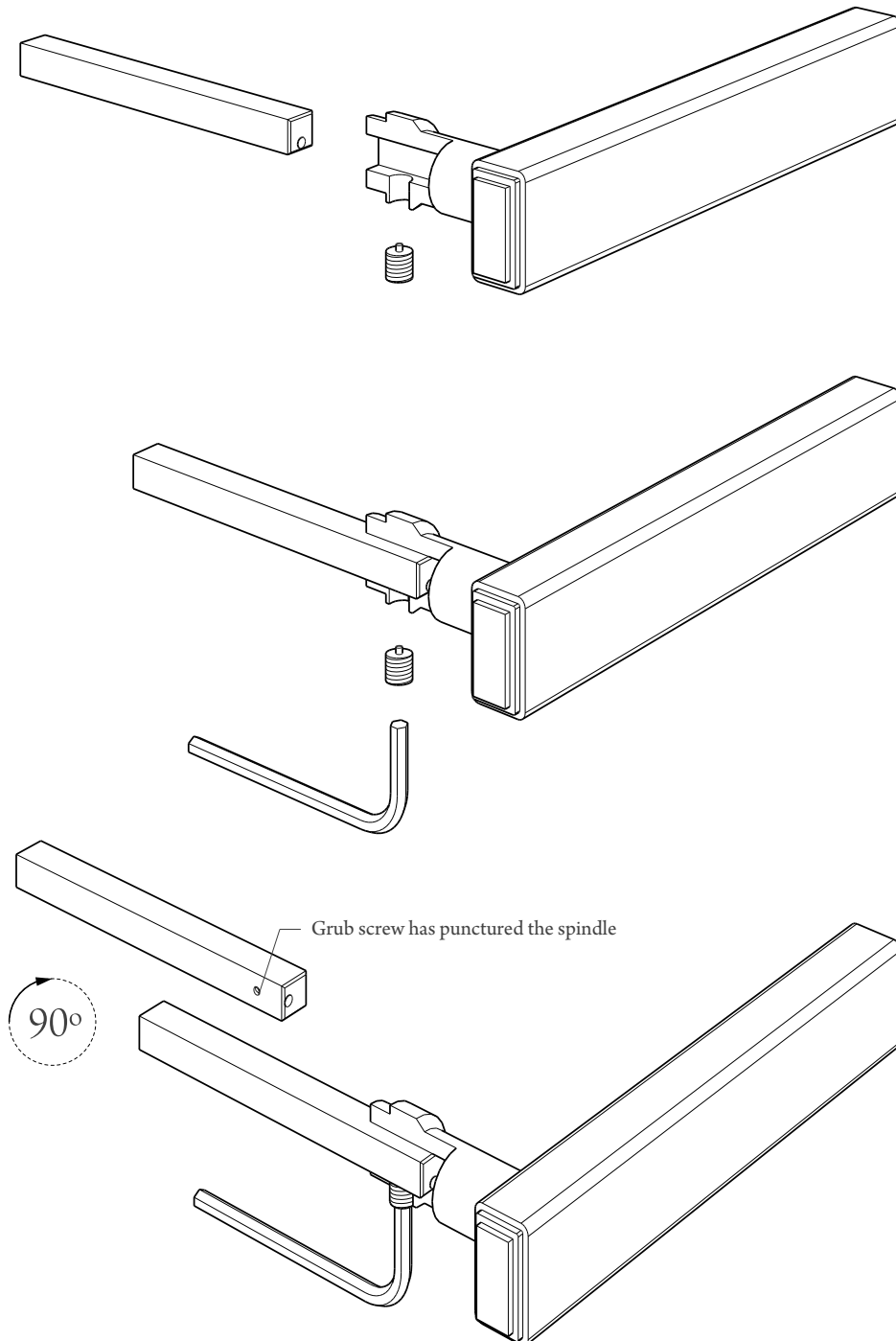
The plan view below shows the handing with no visible grub screws.



Lever Handles Technical Help Sheet

Spindles and Fixings

Almost all lever handles and mortice knobs use 'HESO' spindle technology, which is used in conjunction with a puncturing grub screw, see the details below:



Please check with our sales team for further information.

JOSEPH GILES

7 Imperial Way, Croydon, Surrey CR0 4RR
+44 (0) 20 8680 2602 | info@josephgiles.com | josephgiles.com

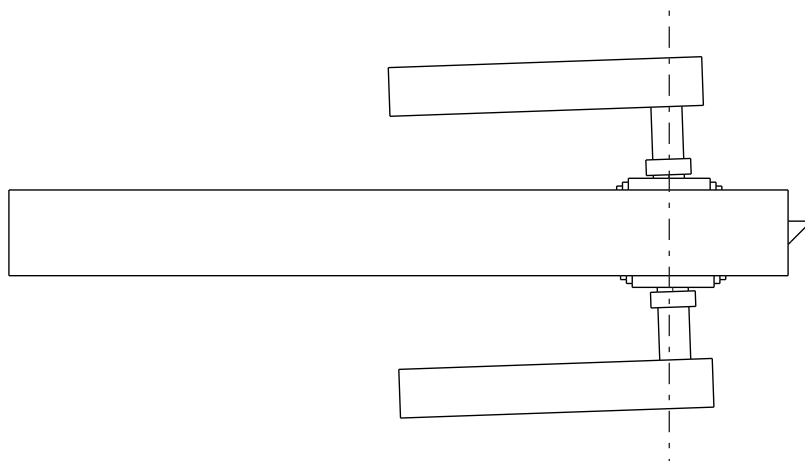
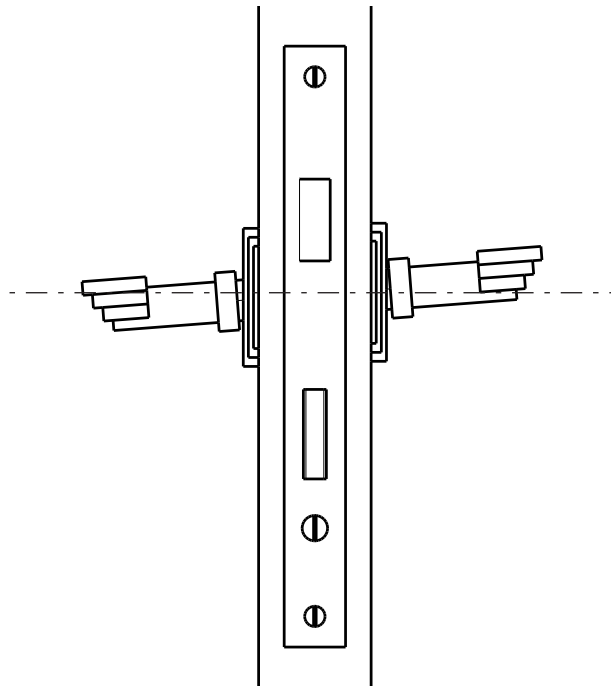
Lever Handles Technical Help Sheet

Installation

It is important to note that as our products are manufactured to a high degree of accuracy using CNC machinery there is little tolerance to accommodate minor misalignments in fitting.

It is a skilled task to fit ironmongery, and to do a good job will take some time. To assist you with your installation, we recommend the use of a centre drill to ensure accuracy. A slight misalignment can often be eased with minor adjustments, however if the roses are not parallel with each other, the product will not function properly.

If your lever handles are not returning to their rest position or feel stiff, this can usually be remedied by easing and adjusting the roses - this involves loosening the screws, moving the rose slightly, then re-tightening ensuring it does not pull back into the original incorrect position.



If you need any assistance with installing our products, please contact a member of the team who are on hand to assist.

Please check with our sales team for further information.

JOSEPH GILES

7 Imperial Way, Croydon, Surrey CR0 4RR
+44 (0) 20 8680 2602 | info@josephgiles.com | josephgiles.com
