

# BUSTER + PUNCH

LONDON

## CAGED WALL / LARGE

TECH SPEC



CAGED WALL / LARGE  
BLACK MARBLE



CAGED WALL / LARGE  
WHITE MARBLE

### CAGED WALL / LARGE

CAGED Wall / Large perfectly frames the LED BUSTER BULB / TUBE. The wall light is made from a matt black metal cage and comes with a changeable back panel. Caged Wall / Large can be displayed on its own, in linear procession or staggered heights for maximum impact.

[busterandpunch.com](http://busterandpunch.com)  
[info@busterandpunch.com](mailto:info@busterandpunch.com)

# BUSTER + PUNCH

LONDON


## CAGED WALL / LARGE

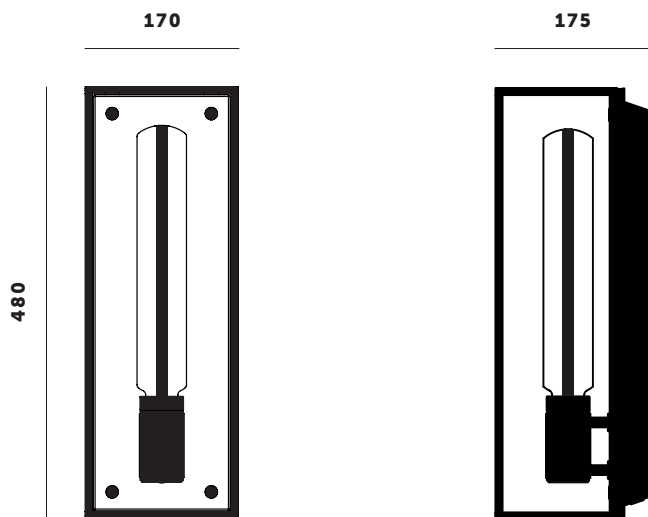
TECH SPEC


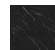
**SPECIFICATIONS:**

Wall light  
 Matt black metal cage  
 Matt black knurled details  
 E27 / 200-240V / IP20  
 5W Buster Bulb / Tube (included)

**MOUNTING OPTIONS:**

 Wall surface mounted



| BACKPLATE FINISH                                                                                                                                                                                     | SKU                                             | LIGHT SOURCE:                                                                                                                 |
|------------------------------------------------------------------------------------------------------------------------------------------------------------------------------------------------------|-------------------------------------------------|-------------------------------------------------------------------------------------------------------------------------------|
|  White marble<br> Black marble | <p><b>RCA-14374</b></p> <p><b>RCA-02375</b></p> | <p>1 x BUSTER BULB / TUBE included<br/>                     5W dimmable warm white LED<br/>                     E27 screw</p> |

**CARE INSTRUCTIONS**

Wipe with damp cloth with no loose hairs, avoid using any chemicals. Please note all finishes are prone to aging.