



Uniclass L4181	EPIC D181
CI/SfB (31.59)	Xt7



LATCHING HANDLE EDITION



Introduction

Turnstyle Designs was formed in 1992 and has been designing and manufacturing unique door and furniture hardware ever since. During that time we have grown from a one man band working from a small Devon barn to one of the regions larger employers operating out of a purpose built modern factory. With offices and showrooms in London and the USA.

All of our products are made in the UK by a team of highly skilled craftsmen and engineers, working with a broad palette of materials, from precision engineered brassware to hand stitched leather.

This brochure focuses on our latching solutions for cabinets and furniture, please ask for our door hardware and cabinet hardware brochures to see the complete range or visit our website. As well as our extensive catalogue range of products we also offer a design and manufacturing service. If you cannot find what you are looking for please contact our sales department to discuss your requirements.

Turnstyle Designs is a privately owned business; the staff are its family. We take pride in what we produce, how we look after our clients and the attention to detail that goes into every aspect of our business from production through to after sales service. Whether specifying for a client or choosing for yourself, we hope you find inspiration in the following pages.

Turnstyle Designs Ltd

Baron Way
Roundswell Business Park
Barnstaple
Devon EX31 3TB
England
Tel: +44 (0)1271 325325
Email: sales@turnstyledesigns.com
www.turnstyledesigns.com



All copyright, design right and other intellectual property rights in our products and designs are and remain the property of Turnstyle Designs.

© Turnstyle Designs 2018







introduction 3



manufacturing 6



finishes 7



door levers 36-37



brochures 39



www.turnstyledesigns.com 41



lux push button cabinet knobs 8-11



ledge push button handles 12-15



coffin leg scrolls and square recess cabinet d handles 16-17



square strap and loop handles 18-21



cabinet t-bars 24-25



door t-bars 26-29



flush hardware 30-33



custom 34-35

manufacturing

Design

For Turnstyle's own extensive catalogue range of products, all design work is done in house. Conceptualised and designed by husband and wife team and owners Steve and Christina Roberts. The designs are then redrawn in CAD files, and rendered, most designs are then 3D printed to check dimensions and designs. Once approved masters will be produced for Amalfine™ casting, prototypes are then produced for market feedback before being launched and stocked.

Leather

Our leather is brought from some of the finest tanneries in the world in Tuscany, Italy. Only the very best full grained (top and strongest section), vegetable tanned (all natural), drum dyed, bridle or saddle leather. The cows are reared outdoors where the farmers do not use barbed wire, which dramatically reduces the scarring (the cows also prefer it).

Leather like all natural materials will change with age, according to the situation, exposure to sunlight and usage or lack of. The more you use it, the better it looks, the oils from your hands feed the leather and create a unique patina. Like an old handbag or briefcase the character of the leather gets richer with age.

Amalfine™

Amalfine™ – our proprietary composite blends have become one of our trademarks.

Incredibly versatile and durable, each piece is hand cast and finished and will pass through at least eight pairs of hands before being finally packed for dispatch. Every piece is unique with its own individually crafted character and charm.

The finishes in the Amalfine™ range are more like materials than finishes, the colour runs throughout the design so unlike a surface finish it cannot wear off. Not suitable for exterior use.

Amalfine™ Production

Using highly flexible silicone rubber moulds we are able to reproduce finger print detail from the masters we cast from and de-mould the parts without a seam.

After de-moulding, each design is carefully machined down to remove excess material and where applicable to accurately fit its brass partner.

After around 6-8 hours of various polishing stages the beautiful lustre will remain for many years to come.

Every piece is unique with its own individually crafted character and charm.

Turnstyle also offer a Custom Casting and finishing service. For better understanding of the process visit our website and view the production movies; www.turnstyledesigns.com

Brasswork

Turnstyle uses a host of manufacturing processes to produce the very best result for each design and product. These include CNC machining, turning, milling, forging, investment casting and extrusion. All carried out by highly skilled precision engineers.



Metal finishing

Turnstyle uses high quality solid brass for production as this is the only material that will allow us to produce such a broad pallet of plated and patinated finishes. We currently produce three stocked plated finishes and five hand patinated "living" finishes as well as many other custom finishes.



finishes/information

Amalfine™



Cocoa (CO)



Black Bronze (BB)



Alupewt (AP)

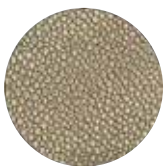


Silver Bronze (SB)



Bone (BN)

SPECIAL ORDER
Minimum quantities apply,
smooth designs only.



Sand (SA)

Shagreen designs only.

Leather Amalfine™



Mocha (MO)



Espresso (ES)

Shell Finish (Recess Shell range)



Mother of Pearl (MP)

Leathers



Chestnut (CN)

Supplied with a natural thread.



Chocolate (CT)

Supplied with a dark brown thread.



Black (BL)

Supplied with a black thread.



Tan (TA)

Supplied with a natural thread.



Slate (GC)

Supplied with a silver thread.



White (BW)

Supplied with a white thread.

SPECIAL ORDER
Minimum quantities apply.

Woven Leathers

Woven Leather designs only.



Tobacco (TC)



Flint Grey (FG)



Whisky (WK)



Raven Black (RV)

Living Finishes

Some of Turnstyle's brass finishes are described as 'Living Finishes'. This means they will develop their own individual patina over time as they react with their environment. Some colour and texture variation should be expected as these finishes are created by hand.

Once installed a number of factors such as handling, age and environment will lead to gradual wear and oxidation, resulting in each piece developing a unique character and elegance. This is a natural process and is a feature not a fault of the base material or finishing technique.

Brass Finishes



Bright Chrome (BC)

Nickel base with Chrome top coat. Our most durable finish, suitable for exterior.



Satin Nickel (SN)

A beautiful subtle finish, flat satin with no brushwork marking.



Polished Nickel (PN)

Heavily applied nickel, unlacquered to bring out the best of the soft nickel tones.



Polished Brass (PU)

Polished brass, pure and simple, expertly hand polished with nothing added to allow a natural aging process. Living Finish. Suitable for exterior.

Brass Finishes



Fine Antique Brass (FA)

Hand polished and patinated to age the brass, expertly distressed to bring out highlights and hand waxed for a durable finish. Living Finish.



Vintage Nickel (VN)

Patinated nickel, followed by hand distressing and wax polishing. Living Finish.



Vintage Patina (VP)

Hand polished brass, patinated to a dark rich finish and lightly distressed for contrast. Finished with hand applied beeswax. Living Finish. Suitable for exterior.



Matt Black Chrome (CB)

Nickel base with a true matt black Chrome top coat. Our most durable finish, suitable for exterior.

Hammered Brass Finishes



Burnished Brass (BH)

Developed for the hammered range, worked by hand to distress, patinated and finished with beeswax. Suitable for exterior.



Burnished Nickel (NH)

Labour intensive, developed for the hammered range, polished nickel, worked by hand to distress, and finished with wax.



Shown here in Polished Nickel.

lux push button cabinet knobs

Precision engineered out of solid brass and designed to work with our lux push button latch. These luxury flush push button cabinet knobs are perfect for super yachts or as an original, elegant way to finish your kitchen cabinets. For further information visit our website or call our sales team.

Shown here in Bright Chrome.



Shagreen button on round
P2993



Domed button on square
S3045



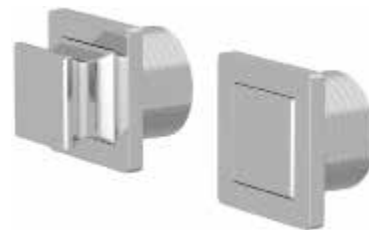
Recess leather button on round
R2986



Square button on round
S3048



Domed button on round
S3044



Square button on Square
S3049



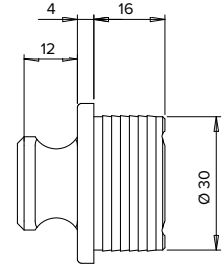
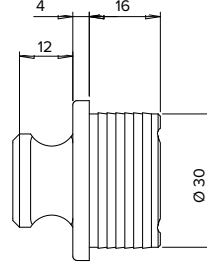
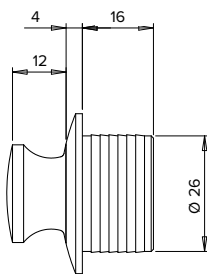
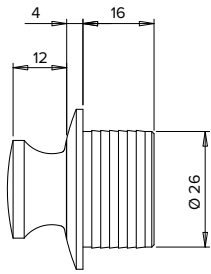
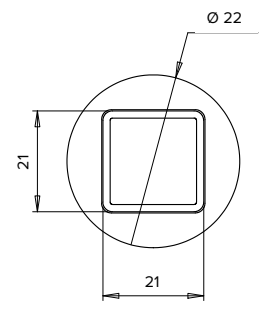
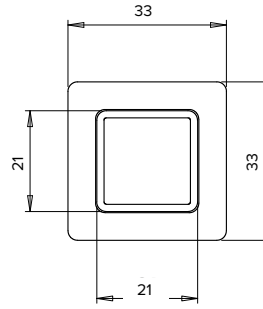
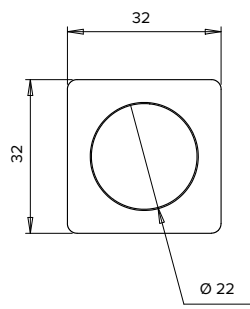
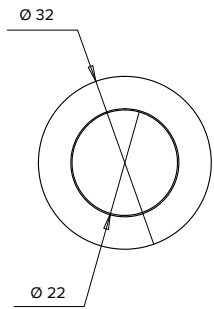
Knurled button on round
S3046



Lux push button latch
PLK0210
Solid brass, very quiet action and
precision engineered to last a lifetime.

See page 7 for finish options.
See pages 10/11 for mechanisms and sizes.

technical information



Shagreen button on round
P2993

Domed button on square
S3045

Square button on Square
S3049

Square button on round
S3048

Recess leather button on round
R2986

Domed button on round
S3044

Knurled button on round
S3046

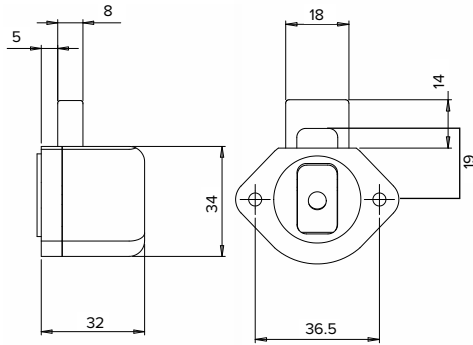
Mechanism	Lux Latch PLK210	Extended Lux Latch PLK211	Standard Small PSL004	Standard Large PSL018	Standard Large Espag PLK340	Espag Lux Latch PLK212
Back Set	19mm	Variable	15mm	25mm	25mm	Any
Material	Brass	Brass	Zinc Alloy & Plastic	Zinc Alloy & Plastic	Zinc Alloy	Brass
Finish Options	All Brass Options	All Brass Options	Matt Nickel	Matt Nickel	Matt Nickel	All Brass Options
Cabinet Thickness	14-40mm	14-40mm	19mm	25mm	25mm	14-40mm
PB Thread Required	M5	M5	M6	M6	M6	M5
Push Button & Rose	Yes	Yes	Yes	Yes	Yes	Yes

push button lux latches

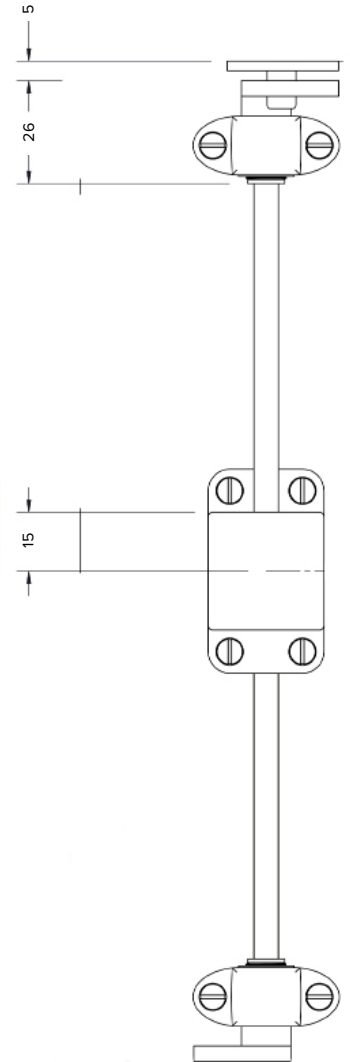
Precision engineered, solid brass push button latch. What the Superyacht market has been asking for is finally here. Quiet action, solid positive latching, reliable and guaranteed. Available with a wide choice of push buttons and comes in a choice of patinated or plated finishes.



Push Button Lux Latch
PLK210

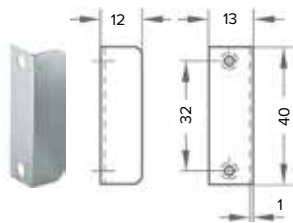


Lux Espagnolette
PLK212

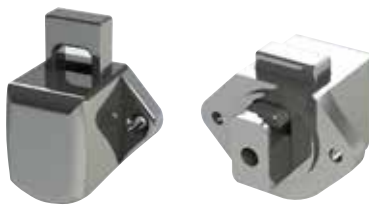


Push Button Lux Latch with
Extender PLK211

- Backset adjustable 15mm to 350mm



- Push Button Lux Latch comes with
steel striking plate.



- Shown here - Push Button Lux Latch.

Metal Finishes **



standard latches and espagnolettes



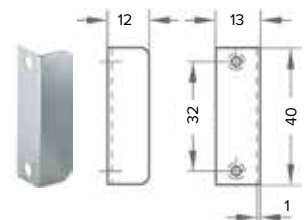
Standard Push Button Lock
PSL004



Standard Push Button Lock
PSL018



Standard Espagnolette
PLK340



- Push Button Lux Latch comes with
steel striking plate.



Shown here in Chestnut Leather and Polished Nickel.

push button ledge

More options for latching handles. Simple, ingenious ways of keeping your cabinets shut, lift the leather handle to release the catch and pull open or push the button to open. Not just for yachts, they are a better way to keep cupboards shut, smarter than magnetic or friction catches.

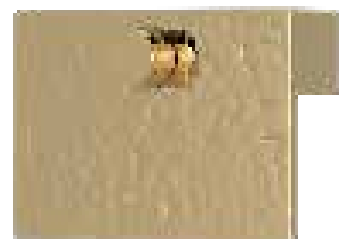
Shown here in **Black Leather** and **Polished Brass**.



Recess leather ledge **R1989**



Solid ledge **S1989**



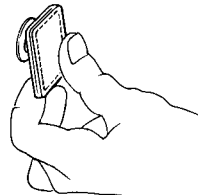
Hammered Solid Ledge **HS1989**

lift and pull

Shown here in **Black Leather**

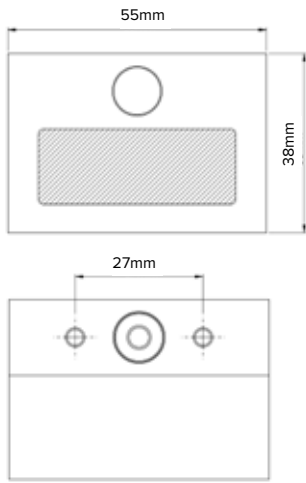


Square **H2009**



See page 7 for finish options.
See pages 14/15 for mechanisms and sizes.

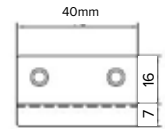
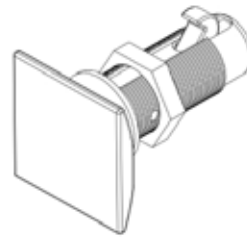
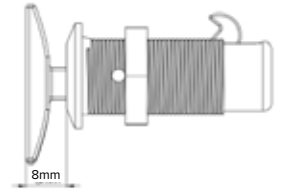
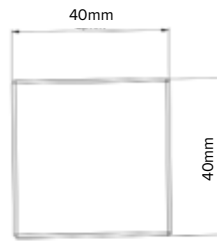
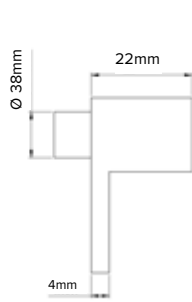
technical information



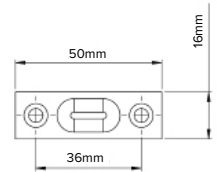
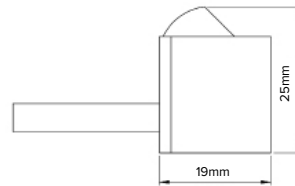
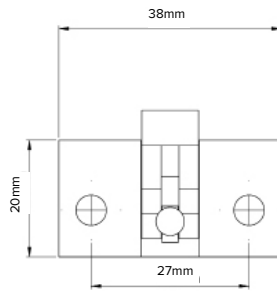
Recess leather ledge
R1989

Solid ledge
S1989

Hammered Solid Ledge
HS1989



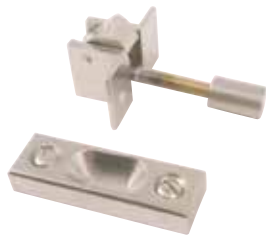
Square
H2009
- 27mm max cabinet thickness



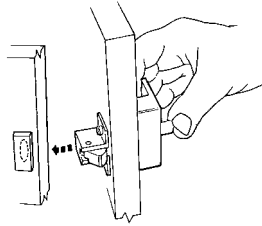
Slam Latch
PSL0006

Mechanism	Lux Latch PLK210	Extended Lux Latch PLK211	Standard Small PSL004	Standard Large PSL018	Slam Latch PSL0006		Lift Latch H2009	Standard Large Espag PLK340	Espag Lux Latch PLK212
	19mm	Variable	15mm	25mm	12mm	12mm	28mm	25mm	Any
Back Set	19mm	Variable	15mm	25mm	12mm	12mm	28mm	25mm	Any
Material	Brass	Brass	Zinc Alloy & Plastic	Zinc Alloy & Plastic	Brass	Brass	Zinc Alloy and Leather	Zinc Alloy	Brass
Finish Options	All Brass Options	All Brass Options	Matt Nickel	Matt Nickel	All Brass Options	All Brass Options	All Standard Leather	Matt Nickel	All Brass Options
Cabinet Thickness	14-40mm	14-40mm	19mm	25mm	14-20mm	19-24mm	4-27mm	25mm	14-40mm
PB Thread Required	M5	M5	M6	M6	M5	M5	NA	M6	M5
Ledge	Yes	Yes	Yes	Yes	Yes	Yes	NA	Yes	Yes

push button lux latches and slam latches



Slam Latch
PSL0006



Solid brass, with brass stop/keep. Simple to fit, durable, quiet and reliable. Operates by pushing to release, automatically latches on closing.



Lux Espagnolette
PLK212



Push Button Lux Latch
PLK210



Push Button Lux Latch with
Extender PLK211
- Backset adjustable 15mm to 350mm



- Push Button Lux Latch comes with steel striking plate.



- Shown here - Push Button Lux Latch

For dimensions, finish options and technical information for the above lux latches, please see page 11.

- Applies to PLK210, PLK211 & PLK212.

standard latches and espagnolettes



Standard Push Button Lock
PSL004



Standard Push Button Lock
PSL018



Standard Espagnolette
PLK340



- All standard latches and espagnolettes come with steel striking plate.



Shown here in Chocolate Leather and Polished Nickel.

push button coffin leg scrolls

Solid brass legs, ends and bases hand made with durable bridle leather grips, assembled and bonded by hand in England.

Shown here in Chocolate Leather and Polished Nickel.



Coffin Leg Scroll (stitch out) **R7570** Ø18mm

Sizes available

 165mm

 196mm



Coffin Leg Scroll **R6500** Ø18mm

Sizes available

 165mm

 196mm



Coffin Leg Scroll Solid **S7002** Ø18mm

Sizes available

 165mm

 196mm

square recess cabinet d handle

Machined solid brass handles, beautifully finished in a choice of plated or vintage finishes with bonded leather grips.

Shown here in Chocolate Leather with Polished Nickel.



Square **R6000** □15mm

Sizes available (centres)

 128mm

 160mm

 192mm



Square (stitch out) **R7568** □15mm

Sizes available (centres)

 128mm

 160mm

 192mm

See page 7 for finish options.
See pages 20/21 for mechanisms and sizes.



Shown here in Chocolate Leather & Polished Nickel.

square strap and loop

Stitched or plain thick leather straps with hand finished edges. Fitted with engineered solid brass square retainers, pinned to stop rotation or movement.

Shown here in Chocolate Leather and Polished Nickel.



Square (stitched) U1440

Sizes available (centres)



Square Loop (stitched) U1200



Square Strap (plain) UP1440

Sizes available (centres)

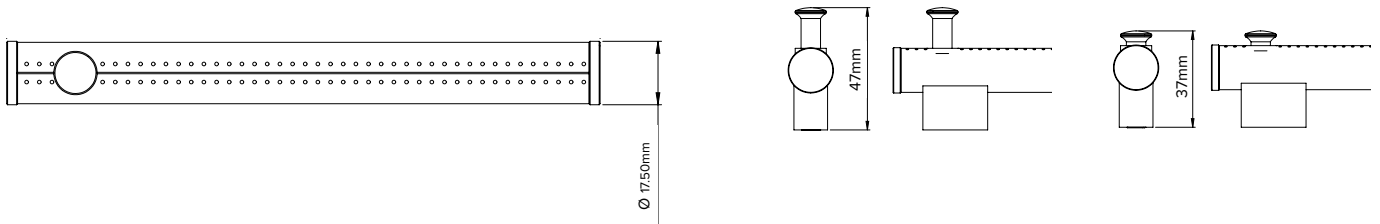


Square Loop (plain) UP1200

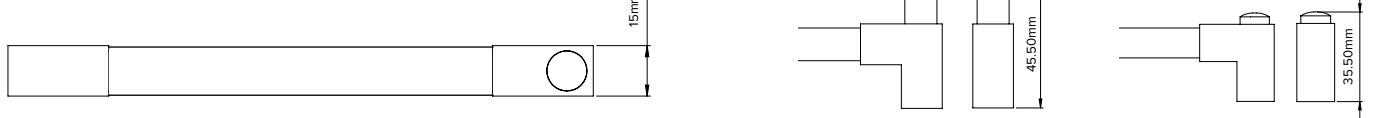
See page 7 for finish options.
See pages 20/21 for mechanisms and sizes.

technical information

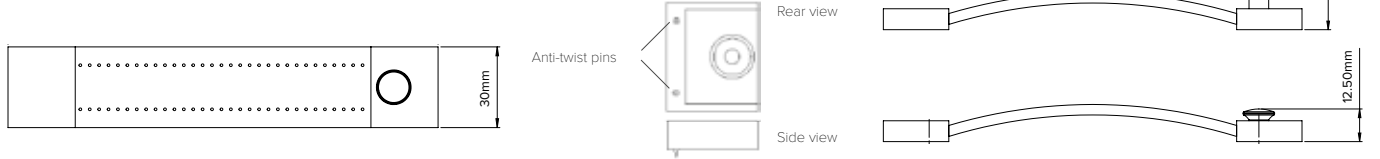
Push button coffin leg scroll - R7570



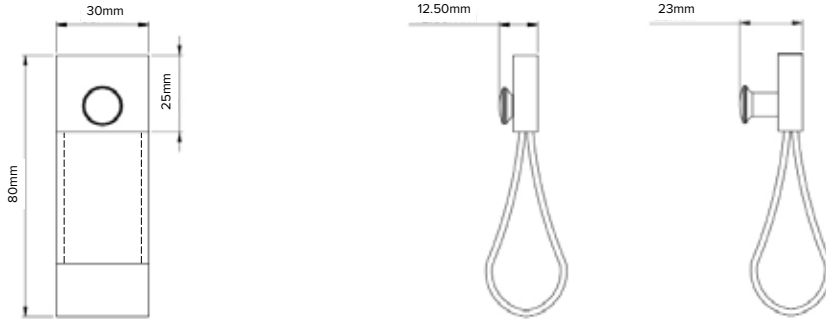
Push button cabinet D handle - R6000



Push button square strap - U1440

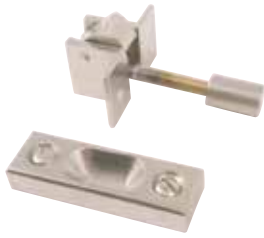


Push button square loop - UP1200

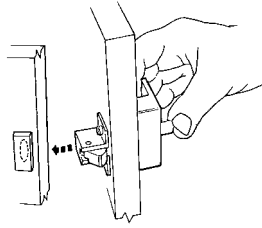


Mechanism	Lux Latch PLK210	Extended Lux Latch PLK211	Standard Small PSL004	Standard Large PSL018	Slam Latch PSL0006		Standard Large Espag PLK340	Espag Lux Latch PLK212
	19mm	Variable	15mm	25mm	12mm	12mm	25mm	Any
Back Set	19mm	Variable	15mm	25mm	12mm	12mm	25mm	Any
Material	Brass	Brass	Zinc Alloy & Plastic	Zinc Alloy & Plastic	Brass	Brass	Zinc Alloy	Brass
Finish Options	All Brass Options	All Brass Options	Matt Nickel	Matt Nickel	All Brass Options	All Brass Options	Matt Nickel	All Brass Options
Cabinet Thickness	14-40mm	14-40mm	19mm	25mm	14-20mm	19-24mm	25mm	14-40mm
PB Thread Required	M5	M5	M6	M6	M5	M5	M6	M5
Square End Strap & Loop	Yes	Yes	Yes	Yes	Yes	Yes	Yes	Yes
Square Cab D	Yes	Yes	Yes	Yes	Yes	Yes	Yes	Yes
Scroll	Yes	Yes	Yes	Yes	Yes	Yes	Yes	Yes

push button lux latches and slam latches



Slam Latch
PSL0006



Solid brass, with brass stop/keep. Simple to fit, durable, quiet and reliable. Operates by pushing to release, automatically latches on closing.



Push Button Lux Latch
PLK210



Push Button Lux Latch with
Extender PLK211
- Backset adjustable 15mm to 350mm



Lux Espagnolette
PLK212



- Push Button Lux Latch comes with steel striking plate.



- Shown here - Push Button Lux Latch

For dimensions, finish options and technical information for the above lux latches, please see page 11.

- Applies to PLK210, PLK211 & PLK212.

standard latches and espagnolettes



Standard Push Button Lock
PSL004



Standard Push Button Lock
PSL018



Standard Espagnolette
PLK340



- All standard latches and espagnolettes come with steel striking plate.







recess Amalfine™ cabinet T-bar handles

Rear fixed and available as turning (to operate latches or espagnolettes) or fixed dead, made with solid brass, Amalfine™ or hand stitched leather grips. These miniature T-bar handles coordinate perfectly with our D handles and other cabinet hardware.

Shown here in Alupewt and Satin Nickel.



Small T-bar Bamboo Ø15mm
Turning: P1012
Fixed: P1012FD



Small T-bar Rough Cut Ø15mm
Turning: P1013
Fixed: P1013FD



Small T-bar Shagreen Ø15mm
Turning: P3016
Fixed: P3016FD



Small T-bar Wire Ø15mm
Turning: P3036
Fixed: P3036FD



Small T-bar Woven Ø15mm
Turning: P3030
Fixed: P3030FD



Small T-bar Faceted Ø15mm
Turning: P3022
Fixed: P3022FD

solid and recess leather cabinet T-bar handles



Small T-bar Barrel (stitch out) Ø15mm
Turning: R1026
Fixed: R1026FD



Small T-bar Barrel (stitch in) Ø15mm
Turning: R1027
Fixed: R1027FD



Barrel T-bar Ø15mm
Turning: S1003
Fixed: S1003FD

See page 7 for finish options.
See pages 26/27 for mechanisms and sizes.

combination, recess leather and solid T-bar mortice handles

Turning T-bar handles, hand stitched leather set on to solid brass, door levers, pulls and other cabinet hardware to match. Shown here in **Black Leather and Polished Brass**.



Combination Leather Tube
(stitch in) **C1481**



Combination Leather Tube
(stitch out) **C1290**



Solid Tube
S1686



Recess Leather Barrel
(stitch in) **R1913**



Recess Leather Barrel
(stitch out) **R1911**



Solid Barrel
S2017

See page 7 for finish options.
See pages 26/27 for mechanisms and sizes.

combination and recess Amalfine™ T-bar mortice handles

Turning T-bar handles to operate latches and espagnolettes, for windows, doors and cupboards. Hand cast Amalfine™ grips set on solid brass, over 48 combinations of finishes available.

Shown here in Black Bronze and Bright Chrome.



Shagreen Barrel T-bar
P1912



Plain Barrel T-bar
P2017



Rough Cut Barrel T-bar
P2359



Wire Barrel T-bar
P2361



Woven Barrel T-bar
P2230



Faceted Barrel T-bar
P3408



Faceted Tube
D1811



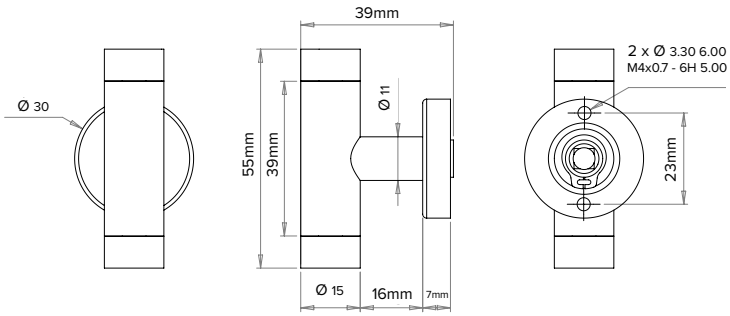
Bamboo Tube
D1291



Shagreen Tube
D2584

See page 7 for finish options.
See pages 26/27 for mechanisms and sizes.

technical information



Small T-bar Bamboo
P1012

Small T-bar Rough Cut
P1013

Small T-bar Shagreen
P3016

Small T-bar Wire
P3036

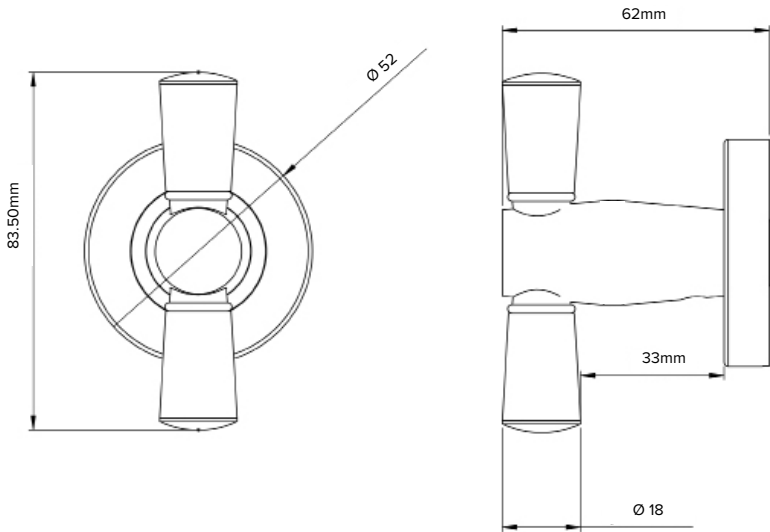
Small T-bar Woven
P3030

Small T-bar Faceted
P3022

Small T-bar Barrel (stitch out)
R1026

Small T-bar Barrel (stitch in)
R1027

Barrel T-bar
S1003



Solid Tube
S1686

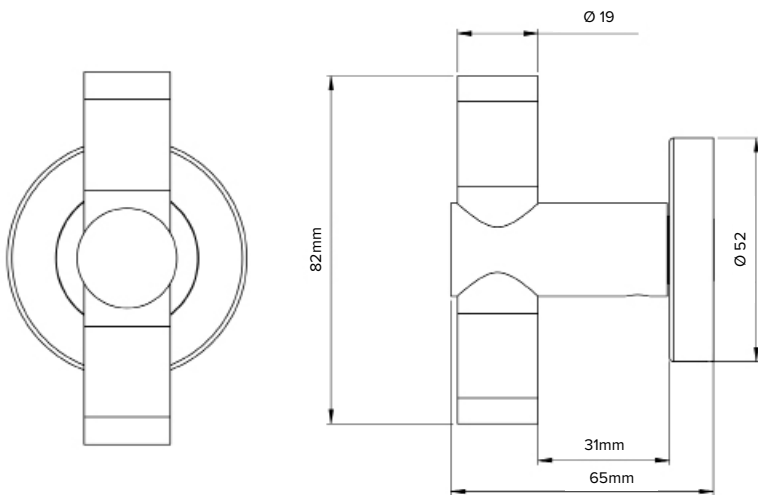
Combination Leather Tube
(stitch in) C1481

Combination Leather Tube
(stitch out) C1290

Faceted Tube
D1811

Bamboo Tube
D1291

Shagreen Tube
D2584



Recess Leather Barrel
(stitch in) R1913

Recess Leather Barrel
(stitch out) R1911

Solid Barrel
S2017

Woven Barrel T-bar
P2230

Faceted Barrel T-bar
P3408

Shagreen Barrel T-bar
P1912

Plain Barrel T-bar
P2017

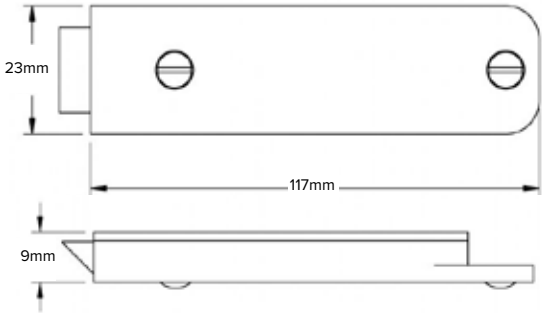
Rough Cut Barrel T-bar
P2359

Wire Barrel T-bar
P2361

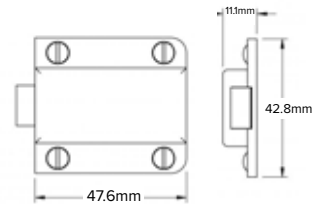
turning lux slam latches



Lux Rebate Slam Latch
PLK0216



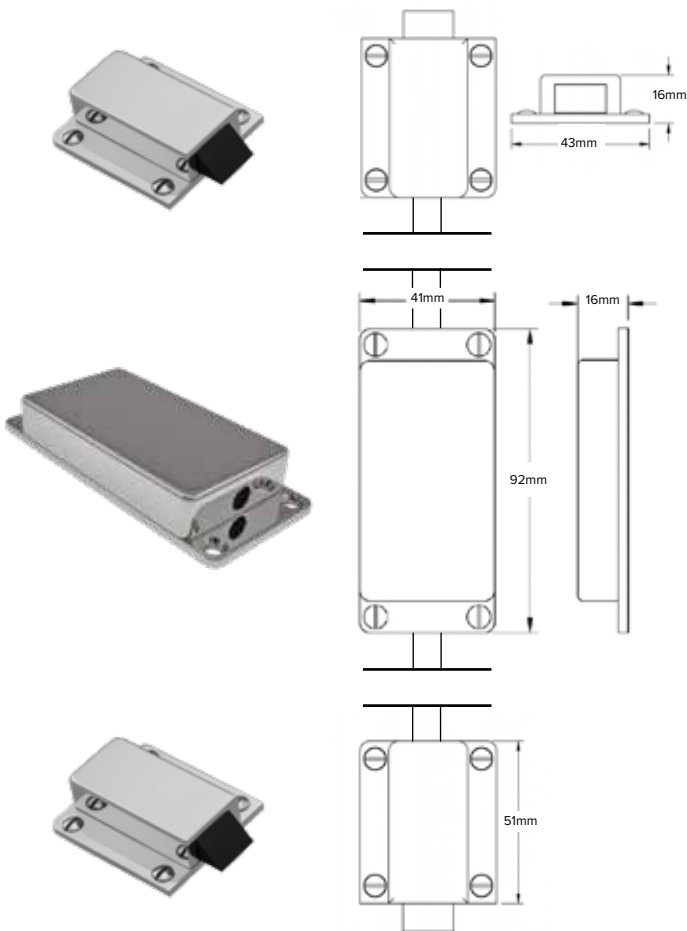
Lux Rim Slam Latch
PLK0215



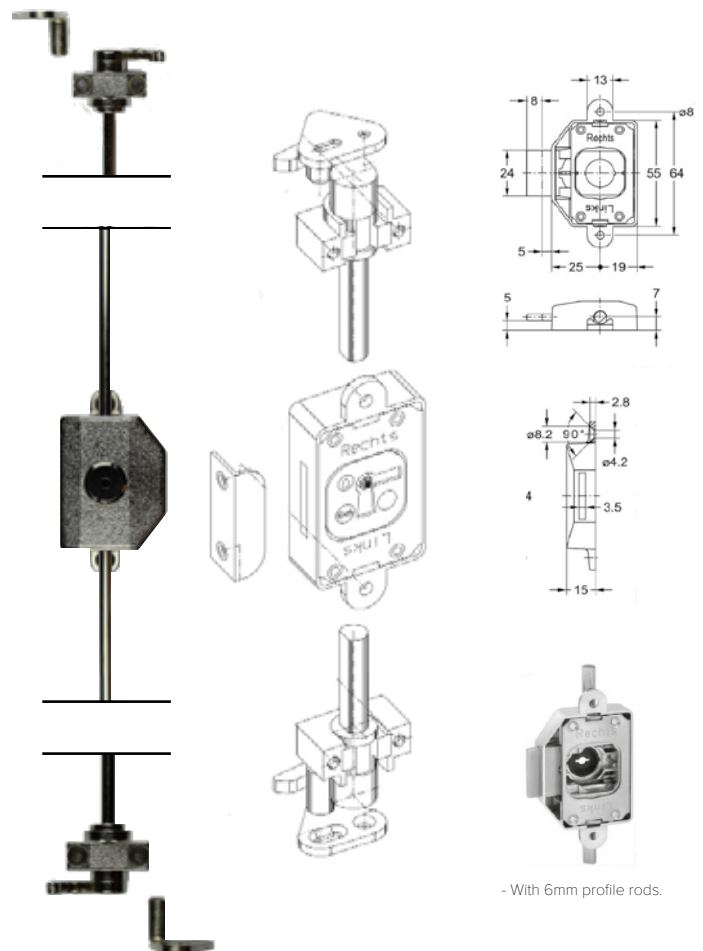
Metal Finishes **



turning espagnolettes



Turning Lux Slam Espagnolette
PLK232



Standard Turning Espagnolette
PLK360

Metal Finishes **





Shown here – Flush Hardware in Black Tea and Polished Nickel.

flush hardware and locks

Our flush fitted handles range has been growing every year, by popular demand and is now available in all sorts of shapes and sizes. Machined from solid brass with invisible fixings and available with our faux leather inlays to prevent scratching and marking.

Shown here in **Black Tea** and **Bright Chrome**.



Round revolving flush pull **S1954**



Round revolving flush pull **C1954**



Rectangle flush pull **S1955** turn



Rectangle flush pull **S1955** coin release



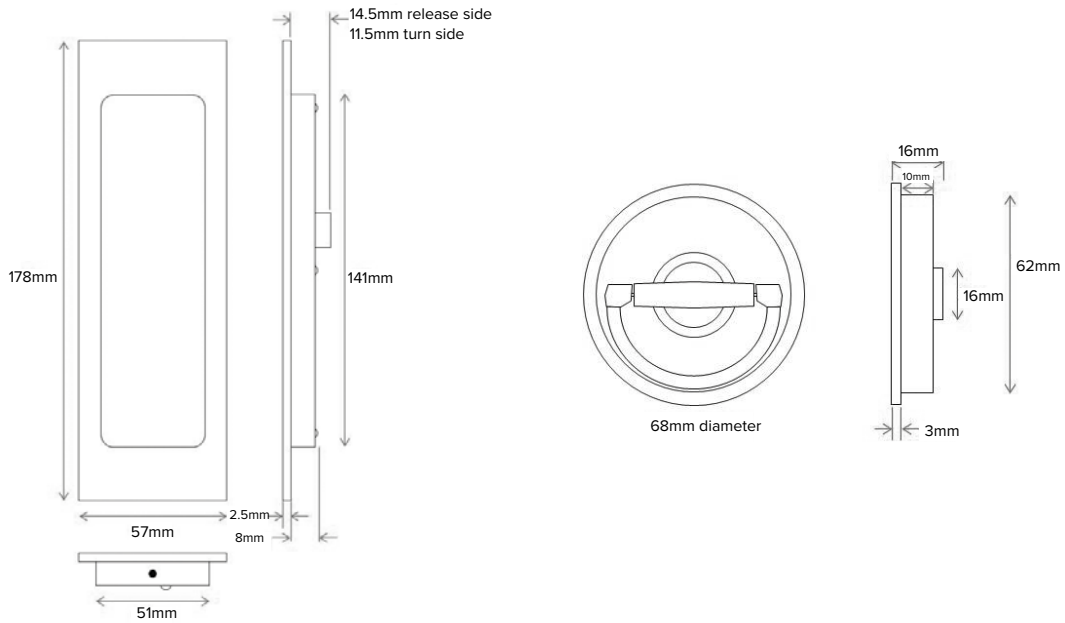
Rectangle flush pull **R1955** turn



Rectangle flush pull **R1955** coin release

See page 7 for finish options.
See pages 32/33 for mechanisms and sizes.

technical information



Rectangle flush pull - turn
S1955

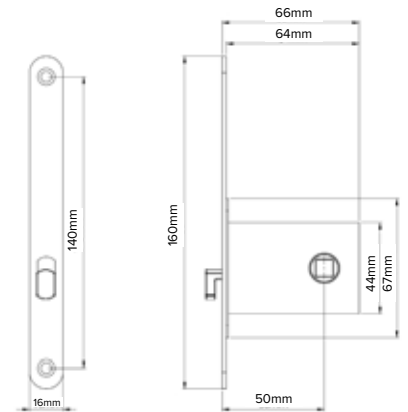
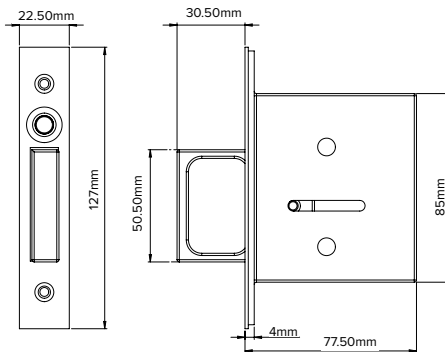
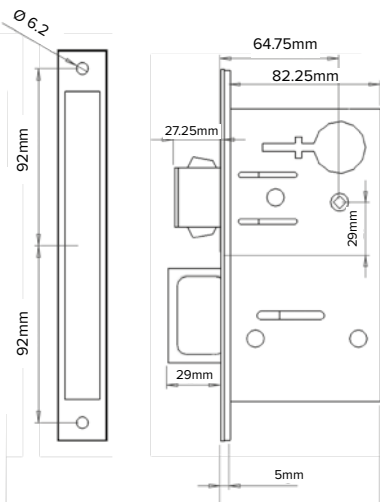
Rectangle flush pull - coin release
S1955

Rectangle flush pull - turn
R1955

Rectangle flush pull - coin release
R1955

Round revolving flush pull
S1954

Round revolving flush pull
C1954



Push button sliding door lock and pull K2692

Push button sliding door pull K2693

Sliding door privacy lock K1500

- Available in all brass finishes.
Please see page 7 for all finish information.

- Available in all brass finishes.
Please see page 7 for all finish information.

flush hardware locks and latches

Push button sliding door lock and pull K2692 + R1955



Door Open



Pull Handle Out



Door Locked

Sliding door privacy lock K1500 + S1954



Door Open



Door Locked

Push button sliding door pull K2693 + S1954



Door Open



Pull Handle Out

custom

As well as our extensive range of catalogue products Turnstyle Designs also offer a custom service to our clients. This falls into two key areas:

modify

Customising designs for clients by using existing stock components.

A cost effective way to enable a client to have a unique, bespoke design by using some of Turnstyles' stocked components and modifying material, grips or finish and thereby benefiting from both price and delivery times.

There are several ways of achieving this... here are the main areas:



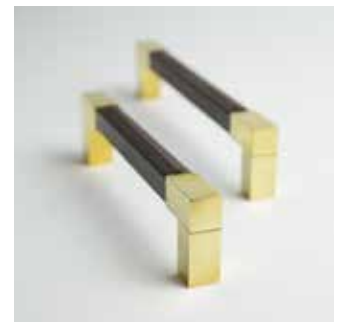
Custom Leather

Clients can free issue their leather to apply to an existing design or modify our stitch colour or style.



Custom Grip

Create your own grip for any of our hardware, and choose your own materials and lengths.



Custom Metal

Alongside our standard metals we have a range of custom finish options including Rose Gold, Vintage Copper and Silver Plate.



Please contact our sales department to discuss any custom designs or projects

tailored

If you are not able to find something to suit your project in either our catalogue range or via the Modify process we will be happy to discuss developing and manufacturing your vision from start to finish.

With 25 years of experience, we have the capabilities and know-how to manufacture most types of door hardware, however complex, and have been the manufacturer of choice for some of the most prestigious and demanding clients in the world, including a number of Superyacht builders.

We understand the demands put on door and cabinet hardware and will ensure that your design not only looks a million dollars but it is also built to last and function smoothly.

In the first instance please contact our custom design department at our head office and ask for Alex Foster on +44 (0)1271 325 325 or email alex@turnstyledesigns.com. Alex will discuss the project, designs and suitability (to develop time scales and budget indications) from prototyping to full delivery.



A sample of the work we have made in recent years. Each custom piece belongs to the client that commissioned it, so we cannot repeat these designs.





door levers

Below are a few examples of our extensive range of Door Handles in a combination of finishes. Please see our Door Hardware brochure or website for more examples and information.





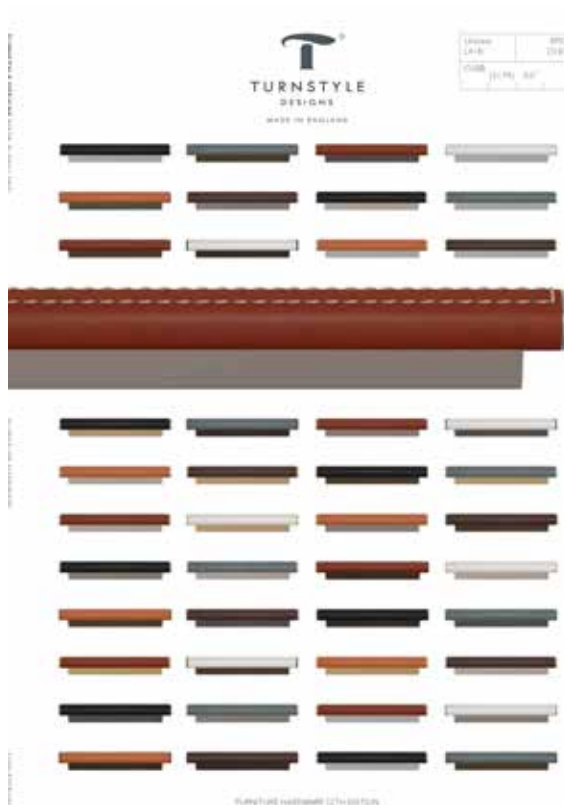
Recess Amalfine Faceted Collection in Black Bronze and Polished Nickel.

turnstyle brochures

This Latching Handle brochure only shows a fraction of Turnstyle Designs' extensive product range. Please contact our sales team to arrange delivery of our Door and Furniture Hardware brochures. Alternatively visit our website to view our full range.



Door Hardware Brochure



Furniture Hardware Brochure



Please be sure to visit our incredible new website, updated monthly with new products and designs and with beautifully shot, informative manufacturing films.

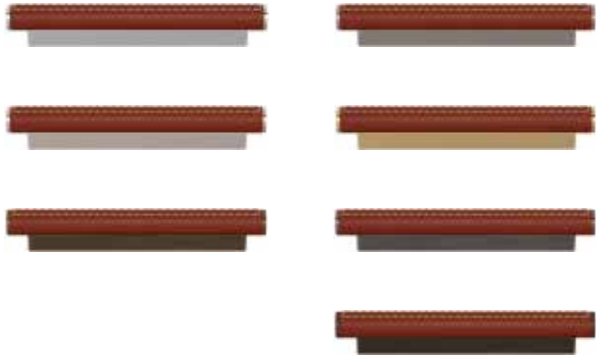
For pricing, specification sheets and to see every one of our 20,000 plus design and finish options by using our amazing configuration tool.



First select your design from our door or cabinet handles, you can filter by material or finish to hone your choice.



Then chose from up to seven different, diverse metal finishes.



Finally select the grip finish in Amalfine™, Leather or Metal.

Save it, print it or pin it for later.





Shown here in Chocolate Leather and Polished Nickel.

A M E M B E R O F
ACID
ANTI COPYING IN DESIGN

printed on FSC paper using
vegetable based inks





Factory and Head Office

Turnstyle Designs Ltd

Baron Way
Roundswell Business Park
Barnstaple
Devon EX31 3TB
England

Tel: +44 (0)1271 325325

Email: sales@turnstyledesigns.com

www.turnstyledesigns.com

London Showroom

Turnstyle Designs Ltd

Unit 103, First Floor
Design Centre East
Chelsea Harbour
London SW10 0XF
England

Tel: +44 (0)203 489 1040

Email: sales@turnstyledesigns.com

www.turnstyledesigns.com

USA Office

Turnstyle Designs Inc

267 Thames Street, Box 4
Bristol, Rhode Island, 02809
USA

Tel: 877 288 4642

Email: us-support@turnstyledesigns.com

www.turnstyledesigns.com

