



TECHNICAL SPECIFICATIONS

R2986-BWSN LATCHING HANDLE

ROUND ON ROUND BARREL STITCH RECESS LEATHER IN WHITE (SPECIAL ORDER) AND SATIN NICKEL

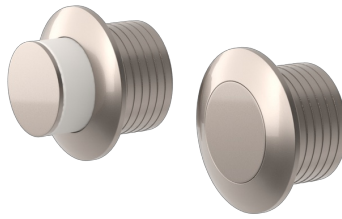


Min Quantities may apply

WHITE (SPECIAL ORDER) (BW)



SATIN NICKEL (SN)



Latch sold separately

36^{mm} length (l) | 3^{mm} projection (p) | 36^{mm} max grip width (w)

Dimensional Tolerance +/- 1.5^{mm}

NOT TO SCALE

OTHER FINISH OPTIONS

Leather Finishes



CHESTNUT CN

CHOCOLATE CT

BLACK BL

TAN TA

SLATE GREY GC

WHITE (SPECIAL ORDER) BW



BRIGHT CHROME BC



SATIN NICKEL SN



POLISHED NICKEL PN



POLISHED BRASS PU



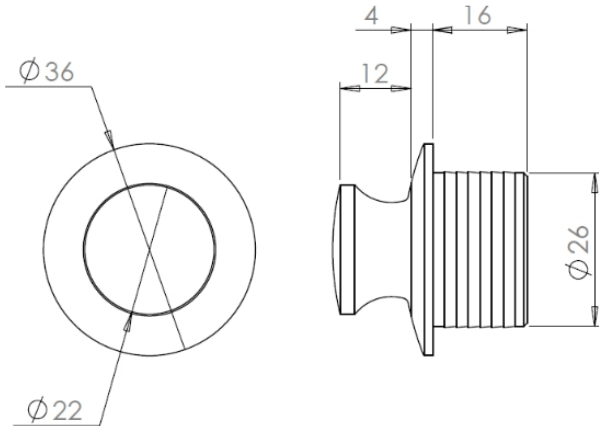
FINE ANTIQUE BRASS FA



VINTAGE NICKEL VN



VINTAGE PATINA VP



Recommended latch PLK0210
contact sales for details



TURNSTYLE DESIGNS LTD

Factory: Baron Way, Roundswell Business Park, Barnstaple, Devon, EX31 3TB, England
+44 (0)1271 325325 - www.turnstyledesigns.com - sales@turnstyledesigns.com