

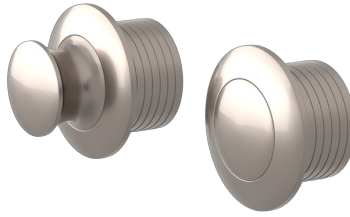


TECHNICAL SPECIFICATIONS

S3044-SN LATCHING HANDLE
ROUND ON ROUND SOLID IN SATIN NICKEL



SATIN NICKEL (SN)



Latch sold separately

36^{mm} length (l) | 3^{mm} projection (p) | 36^{mm} max grip width (w)

Dimensional Tolerance +/- 1.5^{mm}

NOT TO SCALE

OTHER FINISH OPTIONS



BRIGHT CHROME BC

SATIN NICKEL SN

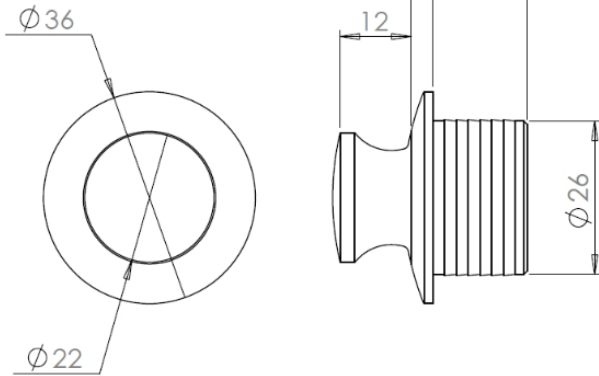
POLISHED NICKEL PN

POLISHED BRASS PB

FINE ANTIQUE BRASS FA

VINTAGE NICKEL VN

VINTAGE PATINA VP



Recommended latch PLK0210
contact sales for details

