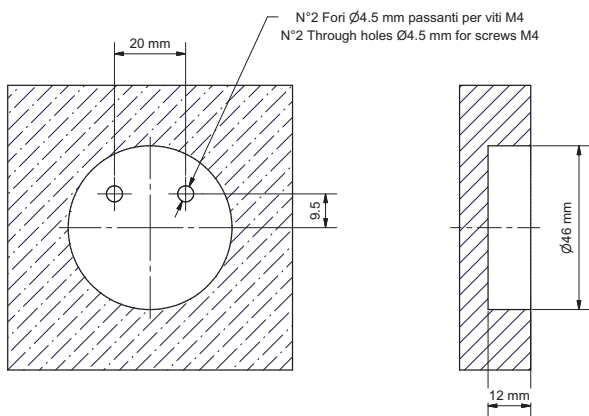
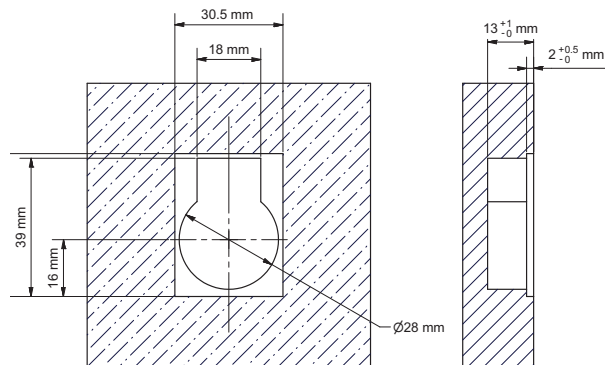


..... FRESATURE INCASSO  
..... MILLING CUTS

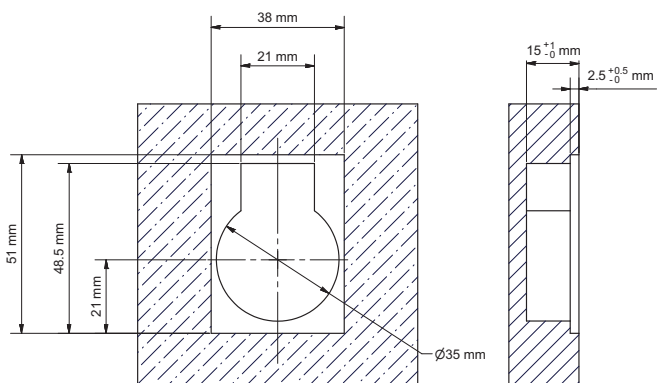
**58050**



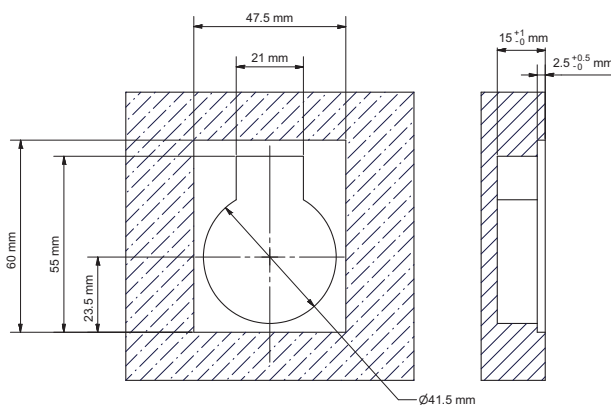
**58740**



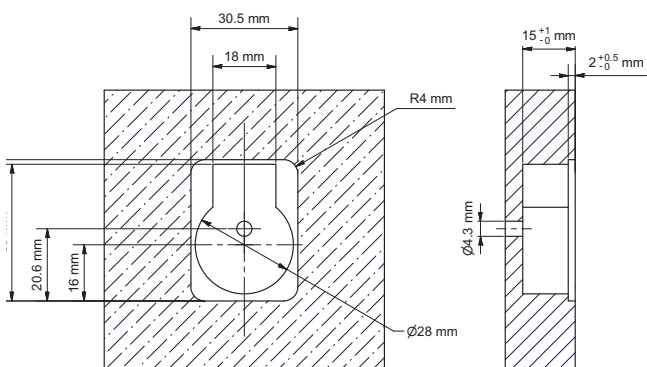
**58750**



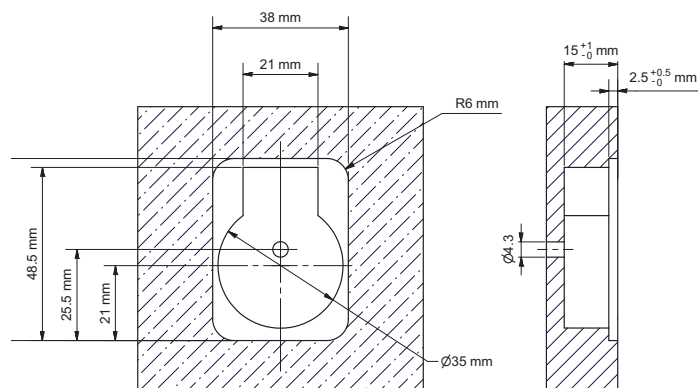
**58760**



**58740 BA**

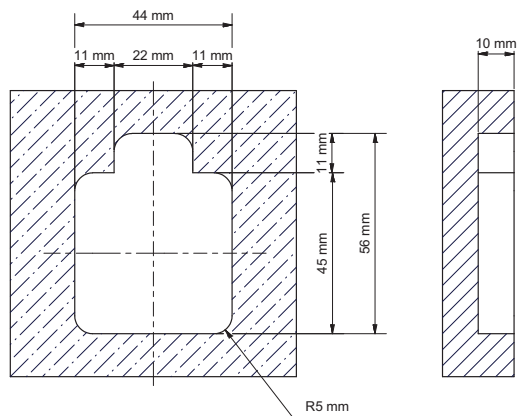
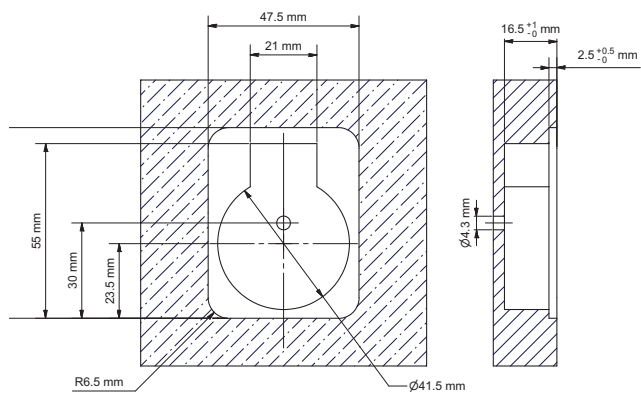


**58750 BA**



58760 BA

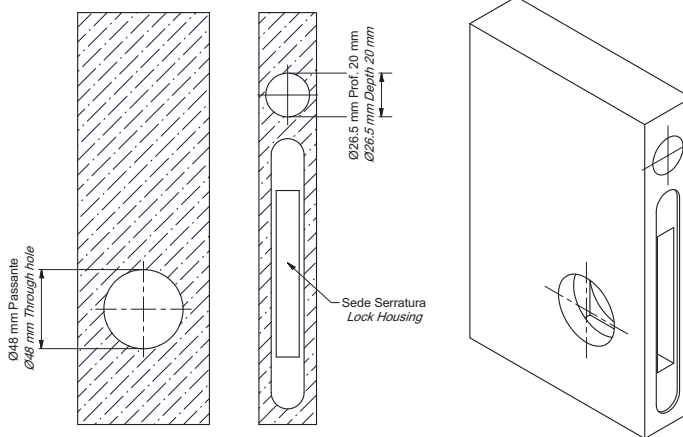
58860



589 Kit Pull / 589AC Kit Pull

Sede Maniglia  
Handle Housing

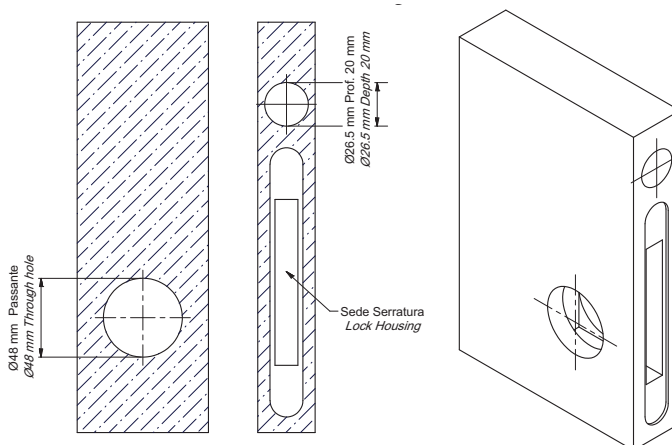
Sede Frontale  
Frontal Housing



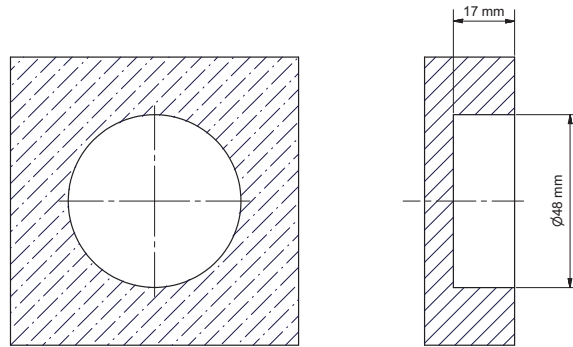
590 Kit Pull / 590AC Kit Pull

Sede Maniglia  
Handle Housing

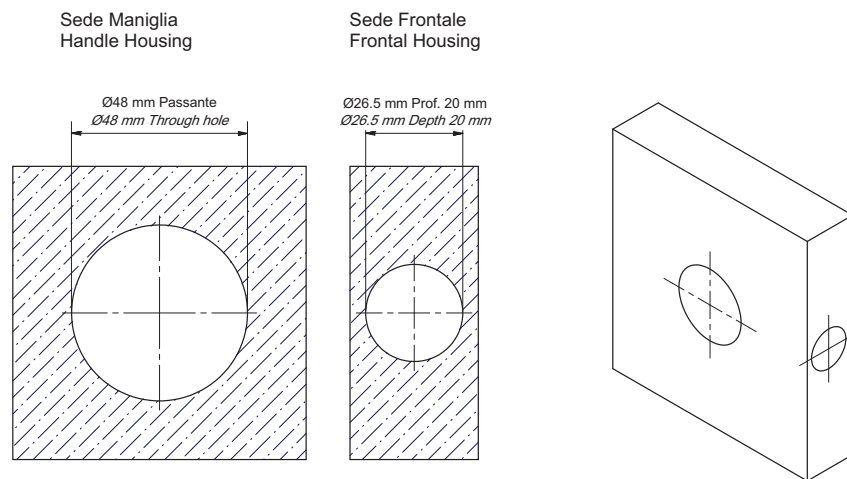
Sede Frontale  
Frontal Housing



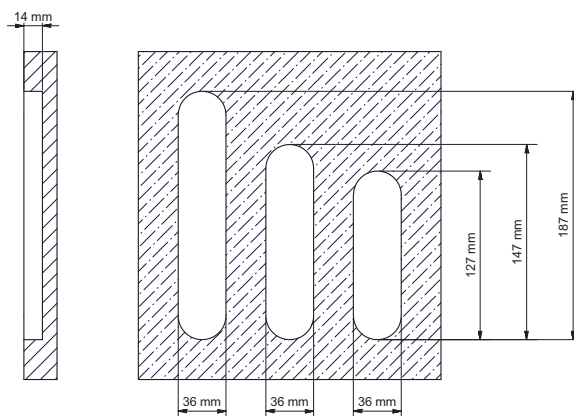
59250



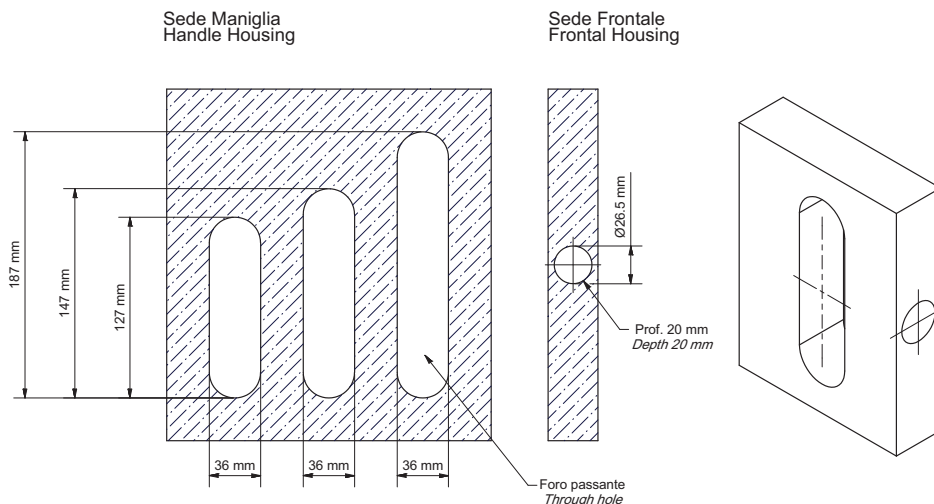
59250 Kit Pull



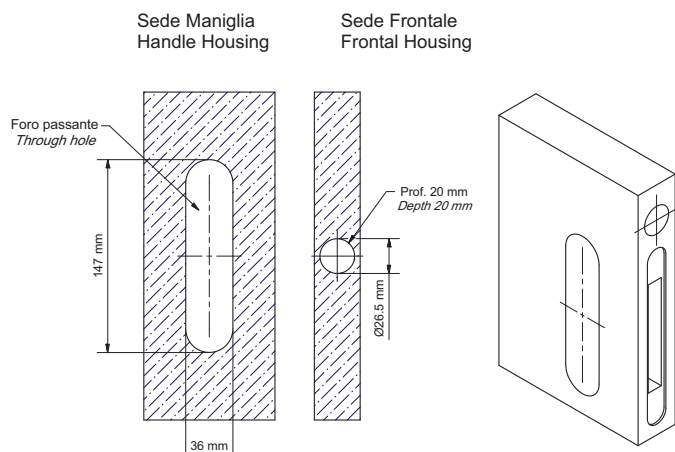
593 / 593 A / 593 A FC



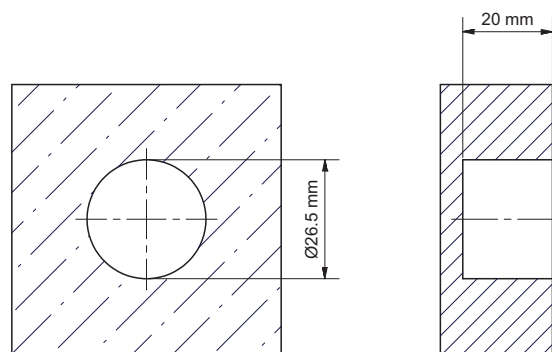
### 593 Kit Pull



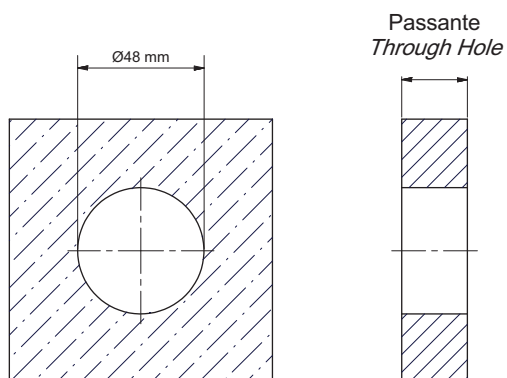
### 593 AC Kit Pull



### 594 Ditale / Pocket Door Finger Pull



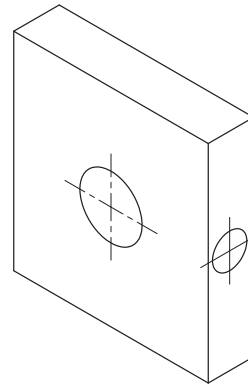
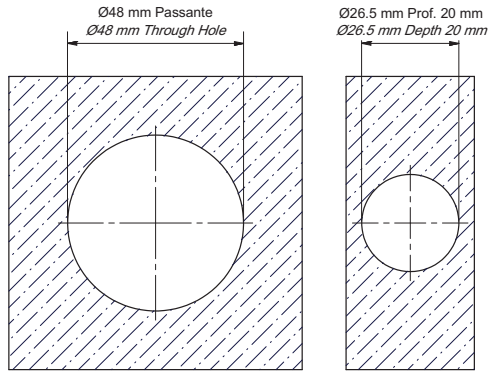
### 594 A / B / C



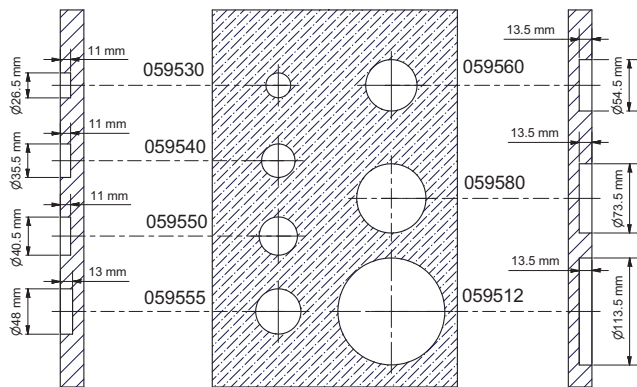
## 594 A Kit Pull

Sede Maniglia  
Handle Housing

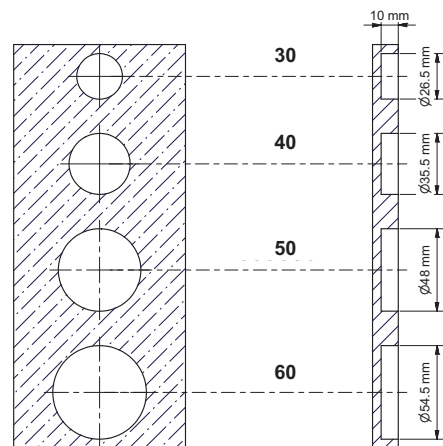
Sede Frontale  
Frontal Housing



## 595



## 596



## 597 A / B / C

